

CUBE-iT™ Wall-Mounted Floor-Supported Cabinet

The CUBE-iT™ Wall-Mounted Floor-Supported Cabinet protects and secures equipment in common spaces where there is a large amount of equipment, but where floor space is limited.



ADVANTAGES

- ➔ **Space-Saving, Sturdy Design**
 - Floor-supported design protects and stores larger amounts of equipment in busy areas with limited floor space
- ➔ **Easy Access to Equipment**
 - Swing-out body enables easy access to the rear of installed equipment
- ➔ **Cable Management**
 - Prepunched rear panel features knockouts for conduit, and has interior cable tie points
- ➔ **Airflow Options**
 - Vented side panels provide airflow. Accessory fan options available

KEY FEATURES

- Wall-mounted, floor-supported enclosure with lockable front door and swing-out rear access to equipment—the cabinet body is supported on the floor by an attached wheeled base.
- Swing-out cabinet body enables easy access to the rear of installed equipment.
- Rear panel is prepunched with knockouts for 1/2", 3/4", 2-1/2" and 3" conduit, and has interior cable tie points and attachment points for accessory rack-mount brackets.
- Cabinet body includes one pair of adjustable depth 19" EIA threaded equipment mounting rails.
- Cabinet body is vented. Vents will accept an accessory fan.
- Front door has rounded edges and corners and is available solid or with a tinted window.
- The front door and the rear panel lock to provide equipment security.

SPECIFICATIONS

Description	Wall-mounted, floor-supported enclosure
Use	For indoor use only, in environmentally controlled areas; may not be used outdoors, in harsh environments, or in air-handling spaces.
Available Sizes	<ul style="list-style-type: none"> • Heights: 60" (1520 mm), 72" (1830 mm)* • Widths: 27.3" (693 mm), 19" EIA rack-mount • Depths: 18" (460 mm), 24" (610 mm), 30" (760 mm) *Wheeled base adds approximately 6" (152.4 mm) to height
Usable Interior Space	<ul style="list-style-type: none"> • Heights: 33U, 40U • Widths: 19" EIA rack-mount • Depths: refer to dimensions (page 2)
Cable Access	<ul style="list-style-type: none"> • (4) 1/2" or 3/4" knockouts, 2 top/2 bottom • (10) 2-1/2" or 3" knockouts, 5 top/5 bottom • (5) Edge-protection grommets are included for 3" (76.2 mm) knockouts
Cable Fill Limits	Refer to TIA-569-B and NEC for conduit fills Estimated cable pass through at 3" knockout through edge-protection grommet
Load Capacity	1000 pounds (453.6 kg) of equipment open or closed
Material	Steel sheet cabinet body, rear panel and door Door window is bronze acrylic sheet Equipment mounting rails are aluminum extrusion
Construction	Welded, riveted & bolted
Finish	Powder coat paint; Black or Computer Beige
Certifications	EIA-310-D compliant

Global Availability

US & Canada

+1-800-834-4969
Toronto, Ontario, Canada
+905-850-7770
chatsworth.com
techsupport@chatsworth.com

Latin America

+52-55-5203-7525
Toll Free within Mexico
01-800-01-7592
chatsworth.com.co

Europe

+44-1628-524-834
chatsworth.com

Middle East & Africa

Dubai, UAE
+971-4-2602125
chatsworth.ae

Asia Pacific

+86 21 6880-0266
chatsworth.com.cn



CHATSWORTH
PRODUCTS

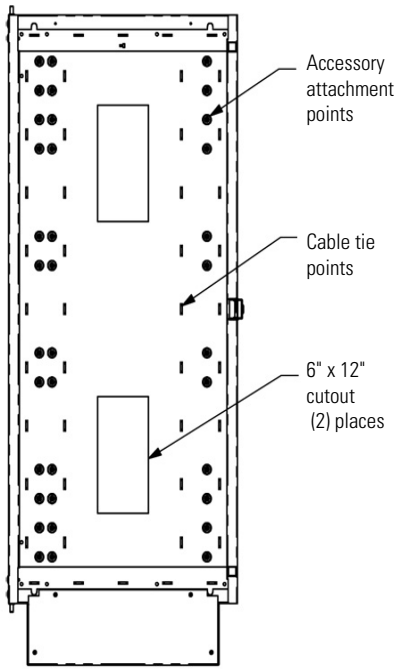
SPECIFICATIONS:

Vertical Cable Management	<ul style="list-style-type: none"> • Integrated cable management space on both sides of the cabinet • Supports two vertical cable managers (sold as accessories) per side in 24"D (610 mm) and 30"D (760 mm) cabinets and one cable manager for 18"D (460 mm) cabinets
Equipment Support	<ul style="list-style-type: none"> • 1 pair C-shaped, 3"D (80 mm) equipment mounting channels in the main cabinet body <ul style="list-style-type: none"> - Front and rear equipment mounting - 19"W, EIA-310-D compliant - Universal hole pattern, 5/8"-5/8"-1/2" vertical hole spacing - Threaded #12-24 equipment mounting holes - Rack-mount spaces (U) marked and numbered on equipment mounting rails - Depth-adjustable (sliding, on support) - Marked support for easy vertical and depth alignment • 5"D (130 mm) rear panel punched to accept accessory equipment mounting brackets, see dimensions at left, accessories on back page • Includes 50 each #12-24 equipment mounting screws

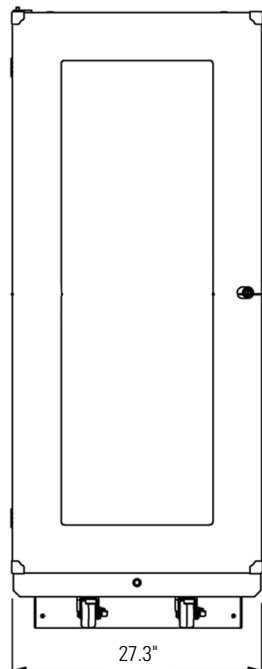
USE WITH

- 90° Mounting Bracket for CUBE-iT
- Fan Kit for CUBE-iT
- Power Strip for CUBE-iT
- LED Light for CUBE-iT
- Horizontal Wire Management Bar for CUBE-iT
- Vertical Cable Manager for CUBE-iT

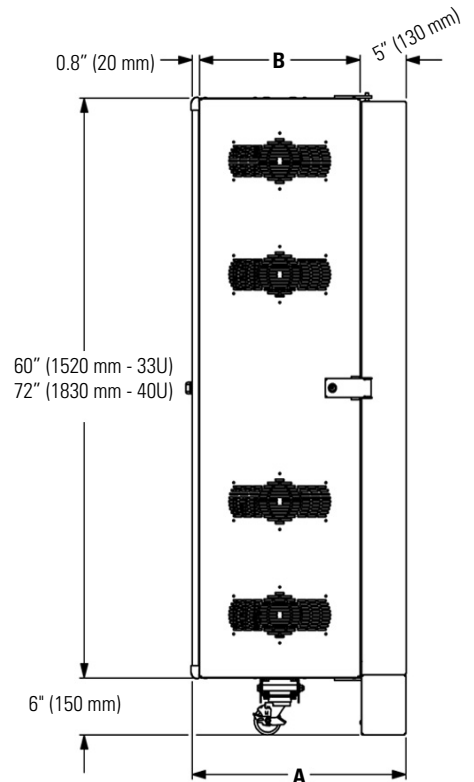
DIMENSIONS:



**Rear Panel View
(Interior Detail)**



Front View



Side View

Depth		
Overall - A	Cabinet Body - B	Max. Equipment
18" (460 mm)	12.2" (310 mm)	16.8" (427 mm)
24" (610 mm)	18.2" (462 mm)	22.8" (579 mm)
30" (760 mm)	24.2" (615 mm)	28.8" (732 mm)

The CUBE-iT™ Wall-Mounted Floor-Supported Cabinet is designed to secure communications equipment for a cross connect. CUBE-iT Cabinets are copper- and fiber-ready and feature easy access to the front or the rear of the cabinet.

The 60"H (1520 mm) and 72"H (1830 mm) cabinets attach directly to the wall and are floor-supported by a wheeled base under the main cabinet body (adds approximately 6" (152.4 mm) to overall height). The 60"H (1520 mm) and the 72"H (1830 mm) cabinets are available in three depths and support 1000 pounds (453.6 kg) of equipment.

The cabinet design delivers exceptional strength and rigidity. The cabinet can be attached to the wall to swing open from the right or left. The open and close motion is smooth and the hasp used to secure the cabinet body to the rear panel assists in drawing the body components together during the locking action. Additionally, the door may be attached to open from the right or left. Door and rear panel are keyed alike.

The 5"D (130 mm) rear panel provides a space for terminating cables. The rear panel is prepunched along the top and bottom with conduit knockouts, allowing communications and power cables to be securely routed into the cabinet. Grommets are included to protect cables when conduit is not used. The interior of the rear panel has tie points for cables and attachment points for accessory equipment mounting brackets.

The main cabinet body includes a pair of adjustable depth 19" EIA threaded equipment mounting rails that can be used to support interconnect equipment and/or active components. The sides of the cabinet body are vented and will accept an accessory fan kit to increase airflow in the cabinet. The front door can be solid or have a tinted window. The edges of the front door are rounded to protect passers-by.

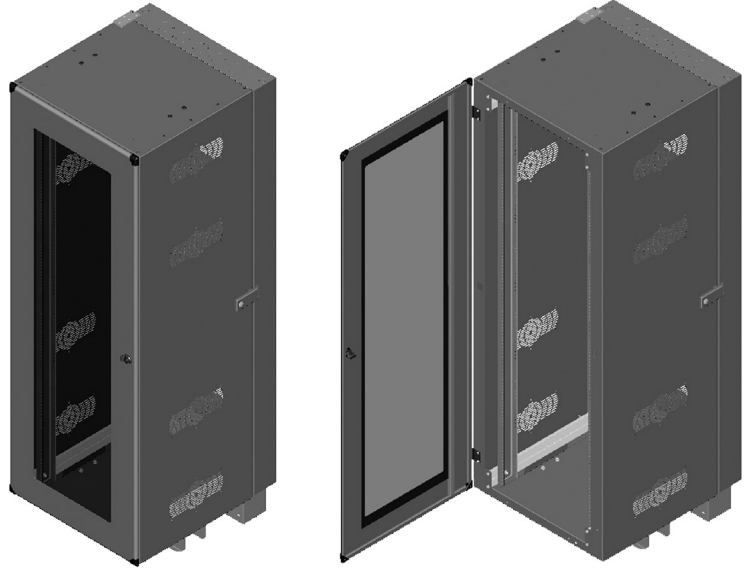
ORDERING INFORMATION:

CUBE-iT Wall-Mounted Floor-Supported Cabinets

- Attaches to the wall with included installation hardware
- Cabinet body is supported by a wheeled base, adds 6" (152.4 mm) to height
- Supports 1000 lb (453.6 kg) of equipment

Part Number	Door Style	Cabinet Depth	Shipping Weight lb (kg)
60"H (1520 mm) CUBE-iT Cabinets			
13491-X60	Solid	18" (460 mm)	201 (91.2)
13494-X60	Tinted	18" (460 mm)	192 (87.1)
13492-X60	Solid	24" (610 mm)	221 (100.2)
13495-X60	Tinted	24" (610 mm)	212 (96.2)
13493-X60	Solid	30" (760 mm)	246 (111.6)
13496-X60	Tinted	30" (760 mm)	236 (107.0)
Extra Mounting Rails, 1 Pair			
13276-X60	L-shaped, 33U		12 (5.4)

X=Color; 2=Computer Beige, 7=Black



Part Number	Door Style	Cabinet Depth	Shipping Weight lb (kg)
72"H (1830 mm) CUBE-iT Cabinets			
13491-X72	Solid	18" (460 mm)	224 (101.6)
13494-X72	Tinted	18" (460 mm)	212 (96.2)
13492-X72	Solid	24" (610 mm)	247 (112.0)
13495-X72	Tinted	24" (610 mm)	235 (106.6)
13493-X72	Solid	30" (760 mm)	274 (124.3)
13496-X72	Tinted	30" (760 mm)	262 (118.3)
Extra Mounting Rails, 1 Pair			
13276-X72	L-shaped, 40U		14 (6.4)

X=Color; 2=Computer Beige, 7=Black

ACCESSORIES:



Vertical Cable Manager for CUBE-iT Wall-Mounted Floor Supported Cabinet

- Openings align with RMU spaces; fingers manage patch cords
- 2.7"W x 5"D (69 mm x 130 mm) usable interior space
- Adjusts front-to-rear within the cabinet
- Managers must be installed before rack-mount equipment

Part Number	Description	Shipping Weight lb (kg)
13485-X60	For 60"H (1520 mm) Cabinet	9 (4.1)
13485-X72	For 72"H (1830 mm) Cabinet	10 (4.5)

X=Color; 2=Computer Beige, 7=Black

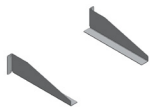


Fan Kit for CUBE-iT Wall-Mounted Floor-Supported Cabinet

- Attaches over the vents in the side of CUBE-iT Cabinet
- Fan draws air into the cabinet, pressurizing the cabinet and forcing warm air out of the side vents
- 115 VAC Fan with 6'L (1.8 m) attached power cord and NEMA 5-15 plug
- Optional Filter Kit
- UL® Listed

Part Number	Description	Shipping Weight lb (kg)
12804-701	Fan Kit, 115 VAC, 100 CFM	4 (1.8)
12804-702	Fan Kit, 230 VAC, 100 CFM	4 (1.8)
12805-701	Filter Kit, Each, Black	4 (1.8)
12806-001	Filters, Box of 6	1 (0.5)

ACCESSORIES:

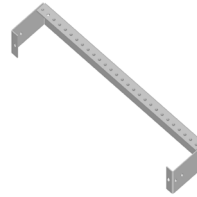


Equipment Support Brackets

- Supports equipment weighing up to 60 lbs (27.2 kg)
- Made of strong, lightweight aluminum
- Overall depth is 13" (330 mm); chassis support lip is 1.5" W (38 mm)
- Fits all EIA standard, hole-patterned equipment mounting rails
- Eliminates equipment sag caused by cantilevered mounting
- For sizes 24" (610 mm) deep and greater

Part Number	Description	Shipping Weight lb (kg)
12312-X01	Brackets, 1 pair	2 (0.9)

X=Color; 2=Computer Beige, 7=Black

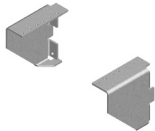


Horizontal Wire Management Bar for CUBE-iT Cabinet

- Attaches to the rear of the equipment mounting rails in CUBE-iT Cabinet
- Secure premise cables after termination on patch panels
- Includes mounting hardware and 12 cable ties

Part Number	Description	Shipping Weight lb (kg)
11837-X01	Bar, Each	2 (0.9)

X=Color; 2=Computer Beige, 7=Black



90° Mounting Brackets for CUBE-iT Cabinets

- Attaches to rear panel on CUBE-iT Cabinet
- Creates a 19" EIA x U vertical rack-mount space

Part Number	Description	Shipping Weight lb (kg)
13285-501	2U, 1 Pair, Clear	3 (1.4)



Power Strip for CUBE-iT Cabinets

- Select straight or locking plug style
- 115 VAC; 15 Amp or 20 Amp
- 10'L (3 m) power cord and circuit breaker
- Includes (8) 5-20R outlets

Part Number	Description	Shipping Weight lb (kg)
12820-701	15A Power Strip, NEMA 5-15P	4 (1.8)
12820-702	15A Power Strip, NEMA L5-15P	4 (1.8)
12820-705	20A Power Strip, NEMA 5-20P	4 (1.8)
12820-706	20A Power Strip, NEMA L5-20P	4 (1.8)

Note: Surge-protected options available



LED Light Kit for CUBE-iT Cabinets

- Attaches to the bottom, top or side of CUBE-iT Cabinets
- Toggle switch, 4W LED light
- Detachable, 120 VAC with NEMA 1-15P Power Cord

Part Number	Description	Shipping Weight lb (kg)
12803-701	LED Light Kit, 4W, 120 VAC	2 (0.9)



40974-X19

Rack-Mount Shelf

- For use with small equipment such as modems, routers and fiber modules in 19" EIA racks
- 1U; Includes multiples tie-down points
- Supports up to 20 lb (9.1 kg) of equipment

Part Number	Description	Shipping Weight lb (kg)
40974-X19	Rack-Mount Shelf, 1U x 19"W x 10"D (483 mm x 250 mm)	4 (1.8)



CPI now offers Extended Limited Warranties on CPI-Branded Electronic products, available for two additional years beyond the expiration of the Original Warranty Period (3 years).

Interested in learning more about Wall-Mount Enclosure solutions? Call us at 800-834-4969, or email Technical Support at techsupport@chatsworth.com.

Contact CPI Customer Service, or visit www.chatsworth.com/warranty for more information.



CHATSWORTH PRODUCTS

While every effort has been made to ensure the accuracy of all information, CPI does not accept liability for any errors or omissions and reserves the right to change information and descriptions of listed services and products.
 ©2017 Chatsworth Products, Inc. All rights reserved. Chatsworth Products, Clik-Nut, CPI, CPI Passive Cooling, CUBE-iT, eConnect, Evolution, GlobalFrame, MegaFrame, OnTrac, QuadraRack, RMR, Saf-T-Grip, SeismicFrame, SlimFrame, TeraFrame and Velocity are federally registered trademarks of Chatsworth Products. EuroFrame, Motive, Secure Array and Simply Efficient are trademarks of Chatsworth Products. All other trademarks belong to their respective companies. 02/18 MK1-60020-296